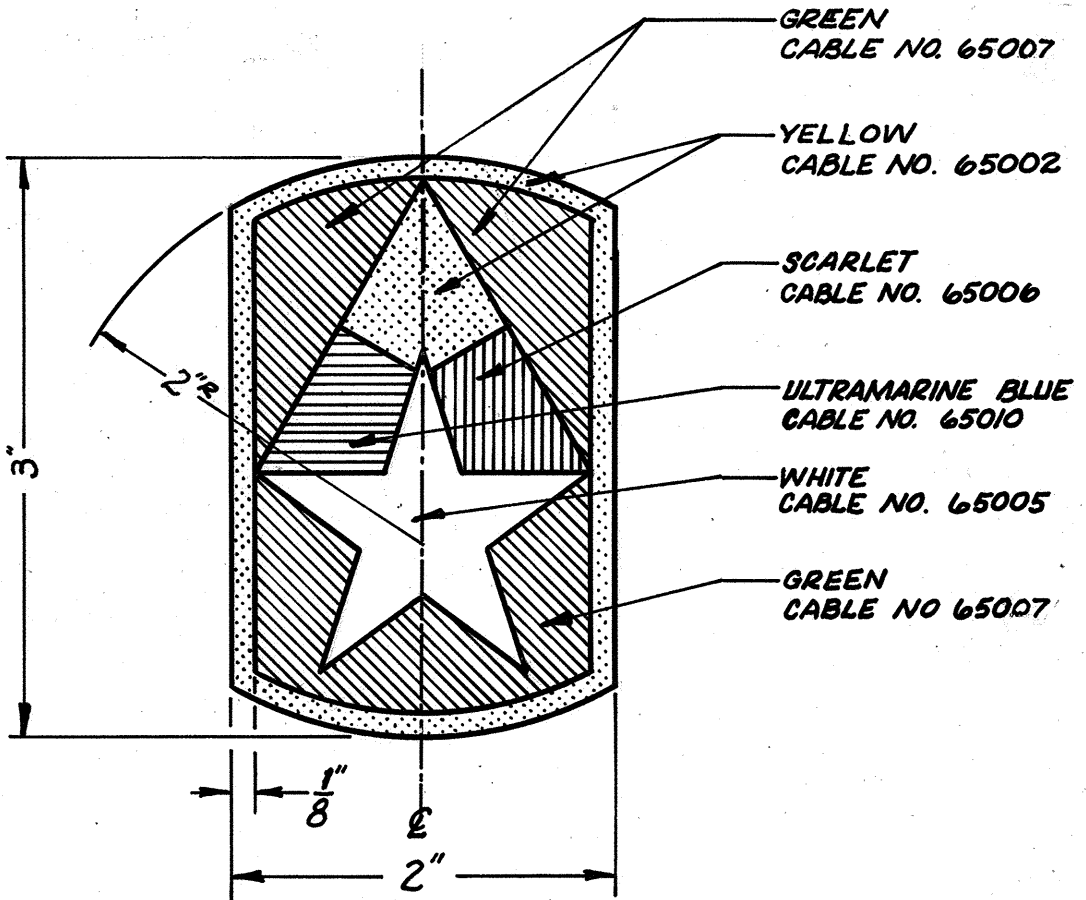


FOR SUBDUED INSIGNIA:
 BACKGROUND AND BORDER TO
 BE OD # 66021
 STAR AND TRIANGLE TO BE
 BLACK CABLE No. 65018

REVISIONS			
LTR	DESCRIPTION	DATE	APPROVED



STITCH COUNT

6659 STITCHES (MINIMUM)
100/2 DENIER
DESIGNED FOR OVEREDGE STITCHING

UNLESS OTHERWISE
 SPECIFIED DIMEN-
 SIONS ARE IN INCHES
 TOLERANCES ON
 FRACTIONS DECIMALS
 ANGLES

MATERIAL:

EXAMINED	TIP	
CHECKED	TIP	
PREPARED	R ₂₄	

APPROVED

 EUGENE F. GANLEY, COLONEL, AGC
 COMMANDING

THE INSTITUTE OF HERALDRY, U.S. ARMY
 CAMERON STATION ALEXANDRIA, VA. 22314

SHOULDER SLEEVE INSIGNIA

49TH ARMOR BRIGADE

SIZE CODE IDENT. NO.
A 22571

A-1-549

SCALE 1-1 DATE 27 JANUARY 1972

Cancelled 12 Dec 1973